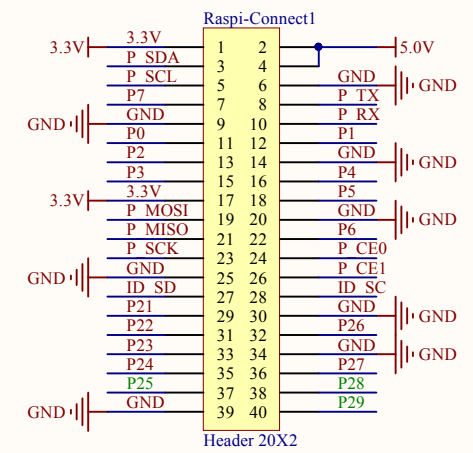
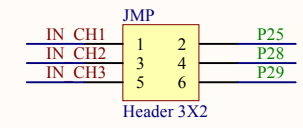


BCM/WPi		
1		
3	2	8
5	3	9
7	4	7
9		
11	17	0
13	27	2
15	22	3
17		
19	10	12
21	9	13
23	11	14
25		
27	0	30
29	5	21
31	6	22
33	13	23
35	19	24
37	26	25
39		



BCM/WPi		
2		
4		
6		
8	14	15
10	15	16
12	18	1
14		
16	23	4
18	24	5
20		
22	25	6
24	8	10
26	7	11
28	1	31
30		
32	12	26
34		
36	16	27
38	20	28
40	21	29



# RPi Relay Board